

Straight Stairs Model **600**

**Features, Benefits & Technical Information**

# 600 Siena

**Straight Rail**



**Stannah**

# 600 Siena Overview



# 600 Siena Overview

**The classic design of the Siena offers comfort through the generously upholstered, padded seat and supportive back.**

**1 Ergonomically-designed chair**

Simple and elegant, designed for maximum comfort.

**2 Upholstery**

Choose from five classic colours made of heavy duty vinyl with antimicrobial protection.

**3 Directional Controls**

Operated with the slightest of touches the controls are designed to make operating your stairlift as simple as possible.

**4 Seat height adjustment**

Seat-to-footrest height adjustment of 390 - 490mm (15.4 - 19.3")

**5 Keyswitch**

For safety a key is provided which can be used to immobilise the stairlift.

**6 Seatbelt \***

A range of seatbelts can be fitted if required. See page 10/11 for seatbelt options.

**7 On-off switch**

**8 Swivel Levers**

Swivel levers or the optional automatic swivel seat let the user get off the stairlift at the safest possible position at the top and bottom of the stairs.

**9 Easy folding**

When the stairlift is not in use it can be folded away to create more space on the stairs. Either manually or by using the powered footrest option.

**10 Safety Edges**

Located around the base ensure the stairlift stops immediately if it meets an obstruction on the stairs.

**11 Master power switch**

Located on the back of the carriage, should be left switched on. The stairlift will not work if this switch is off.

Can be switched off if the stairlift is not to be used for more than a week.

**12 User display panel**

Located on the side of the carriage, it allows you to see the status of the stairlift.

**13 Two chair width options**

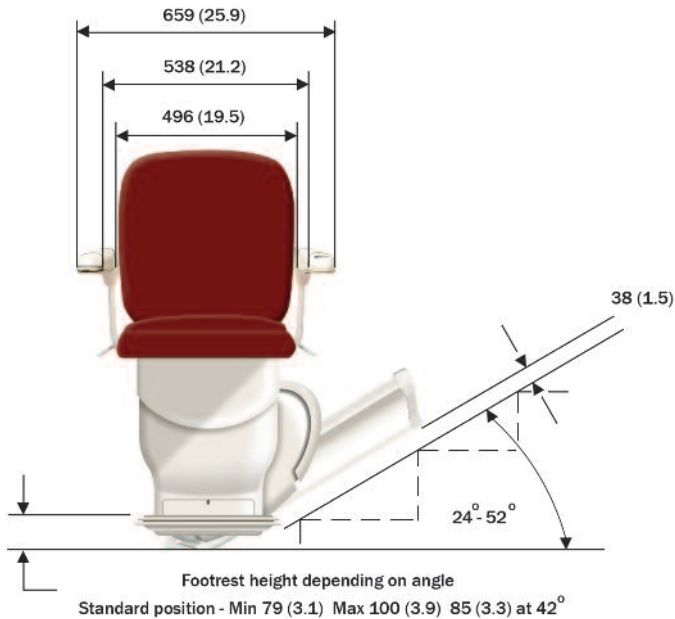
A slim and a wide version chair available tailored to the user and their staircase.

\*For EN81-40 compliant countries, the seatbelt must be fitted

# 600 Siena Dimensions

## **XL Arms:**

**Manual one-way, one-way automatic swivel and two-way automatic swivel seat**

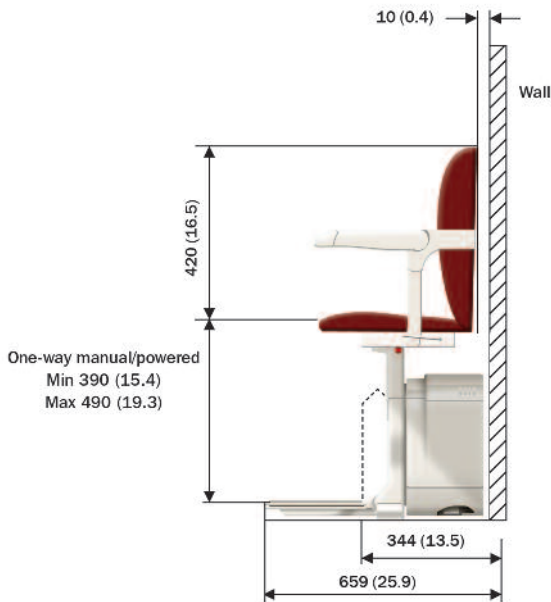
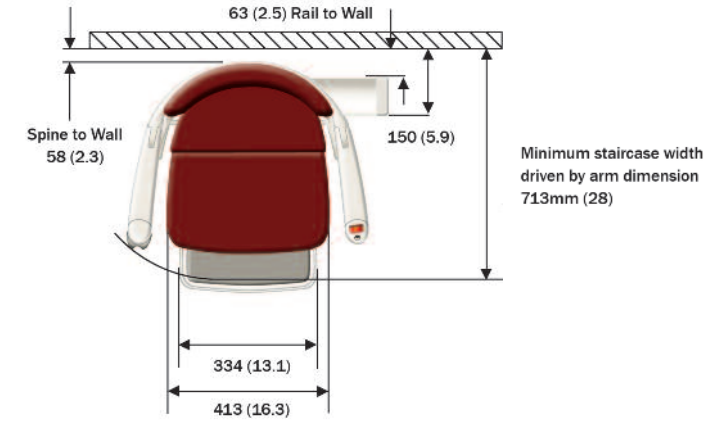


**All product dimensions are accurate, however, you should add approximately 30mm (1.2 inches) on dimensions that require clearance for the user, such as the minimum swivel width dimension.**

Measurements are in millimetres. Measurements in brackets / parentheses are inches. All dimensions measured from the wall are nominal. The addition of a wide stringer (20mm+) baseboard or similar obstruction may affect the dimensions taken from this point. (The colour representation of the chair shown above is for illustrative purposes only).

**Maximum user weight: Up to 52° 160Kg (approx 25 stone)**

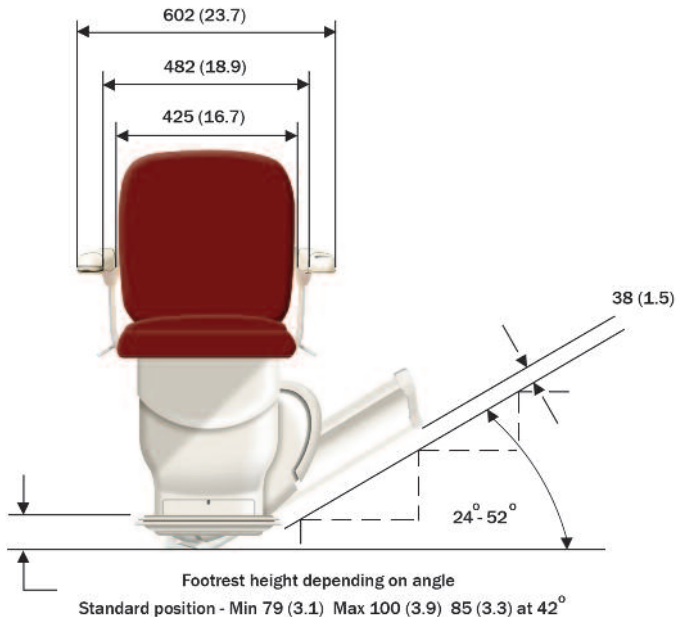
# 600 Siena Dimensions



# 600 Siena Dimensions

## Standard Arms:

**Manual one-way, one-way automatic swivel and two-way automatic swivel seat**

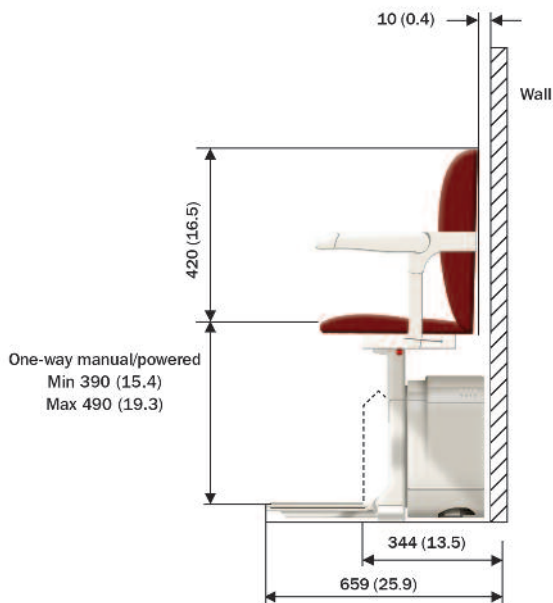
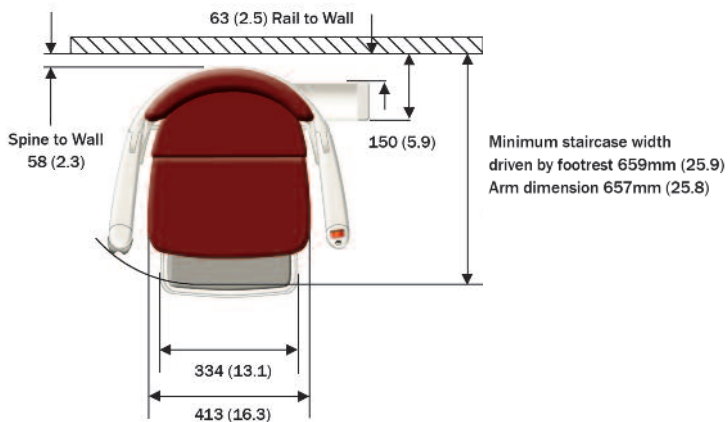


**All product dimensions are accurate, however, you should add approximately 30mm (1.2 inches) on dimensions that require clearance for the user, such as the minimum swivel width dimension.**

Measurements are in millimetres. Measurements in brackets / parentheses are inches. All dimensions measured from the wall are nominal. The addition of a wide stringer (20mm+) baseboard or similar obstruction may affect the dimensions taken from this point. (The colour representation of the chair shown above is for illustrative purposes only).

**Maximum user weight: Up to 52° 160Kg (approx 25 stone)**

# 600 Siena Dimensions



# 600 Siena Technical Information

## Seat:

|                      |   |
|----------------------|---|
| Seat type            | Seat - swivels to face landing  |
| Materials            | Steel frame, with flame retardant upholstery  |
| Armrests             | Two sturdy armrests   |
| Switches             | Master power switch - located on rear of carriage.<br>Key located on the sides of the chair.<br>On/Off switch - located on end of arm |
| Directional controls | Joystick (standard)   |
| Load                 | Up to 52° 160kg (approx 25 stone) 350lbs  |
| Manual swivel        | Operated via the swivel levers. See page 11 for more information  |
| Automatic swivel     | Operated via the directional controls. See page 12 for more information   |

## Footrest:

|              |  |
|--------------|--|
| Construction | Cast aluminium alloy   |
| Finish       | Epoxy powder-coated with a plastic cover                         |
| Carpet       | Pile with latex back, conforms to BS4790                         |
| Safety       | Safety edges operate in direction of travel                      |
| Folding      | Folds with the seat. (Optional - footrest fold button available) |

## Rail:

|                     |                                       |
|---------------------|---------------------------------------|
| Construction        | Extruded aluminium rail               |
| Finish              | Choice of Silver or Bronze anodized   |
| Fixing              | Screwed to the staircase via brackets |
| Min. length of rail | 0.81m                                 |
| Max. length of rail | 12m                                   |
| Rail section size   | 82mm wide x 138mm high (3.2" x 5.4")  |



|                                       |   |
|---------------------------------------|---|
| Normal distance of rail from skirting | 63mm (2.5")                                 |
| Stair nose to rail                    | 38mm (1.5")                                 |
| Rail overhang at top                  | Short rail overhang available at all angles |
| Drive method                          | Rack and pinion                             |
| Rail incline                          | 24° - 52°                                   |

## **Carriage:**

|                   |  |
|-------------------|--|
| Construction      | Steel fabrication. ABS plastic covers  |
| Finish            | Plastic covers   |
| Charger input     | 100-240V AC 50/60 Hz   |
| Motor output      | 0.27KW, DC powered, input 24V DC @750mA  |
| Start             | Cushioned start / stop   |
| Speed             | 0.1m / s + 20% (18ft / min + 20%)  |
| Safety features   | Overspeed governor stops carriage at 0.3 m/s max<br>Safety edges operate safety switches located around the carriage and footrest - batteries allow the stairlift to work in the event of power cut / outage |
| Servicing         | Standards recommend annually   |
| Batteries         | 2 x 12V 7.6Ah  |
| Noise level dB(A) | Maximum operating level, 70 dB(A)  |

## **Other fittings:**

|                 |  |
|-----------------|--|
| Wall controls   | Positioned at the top and bottom of the staircase, the wall controls let the user call the stairlift if it is at the opposite end of the staircase |
| Battery charger | Wall or floor mounted, charges the batteries so that the stairlift is ready to travel  |

# Detailed Product Descriptions



**Feature:** **Basic centre fastening seatbelt (Optional) \***

**Function:** Our seatbelt with large ruck sack style buckle - easy to open and close.

**Benefit:** Improved safety and peace of mind.



**Feature:** **Retractable Seatbelt \***

**Function:** Ergonomically designed to be easy to reach, fasten and release. Can be operated with one hand or with reduced mobility.

**Benefit:** Improved safety and peace of mind. Especially useful if movement and strength in one hand is limited.



**Feature:** **Immobiliser seatbelt \***

**Function:** Based on the same design as above, the stairlift will not operate until the user is seated in the chair and the seatbelt is fixed into place.

**Benefit:** Added peace of mind and safety, especially to the children of elderly parents.



**Feature:** **Diagonal side-fastening seatbelt \***

**Function:** A seatbelt that goes across the body giving the user additional support across the upper body. This seatbelt has a side fastening and retracts safely when not in use.

**Benefit:** Additional feelings of safety and support across the user's upper body when using the stairlift.

**Feature:** **Five point seatbelt \***

**Function:** A seatbelt to fully support the user across the entire upper body. This belt has five fastening points - around the waist, over the shoulders and between the legs.

**Benefit:** A seatbelt specially designed for people with limited control over their upper body.



**Feature:** **Wall Control**

**Function:** Ergonomically-designed control to enable the user to move the stairlift to either the top or bottom of the staircase.

**Benefit:** Allows the user to bring the stairlift to them. Also features operational lighting, which enables an easier understanding of the battery status and the direction the stairlift is travelling. See page 17 for more information.

**Technical:** The arm controls will always override the wall controls.



**Feature:** **Manual Swivel Seat (Standard)**

**Function:** To rotate the seat towards the landing to allow the user to get on and off the stairlift at the top of the stairs. The swivel seat is operated by pulling up on the swivel levers found on either side of the chair.

**Benefit:** Makes it easy and safe for the user to get in and out of the stairlift at the top of the stairs. If the stairlift is left in the swivelled position, it can act as a barrier across the top of the stairs making the stairs safer.



\* If this option is selected it makes the product non compliant to EN81- 40

\* For EN81- 40 compliant countries, the seatbelt must be fitted

# Detailed Product Descriptions



**Feature:** **Powered Swivel Seat (Option)**

**Function:** At the top of the stairs the user can automatically swivel the seat to face the landing using the stairlift controls.

**Benefit:** The stairlift is easy to swivel at the top of the stairs, especially useful if movement and strength in the arms and hands is restricted. Good for multi-users as the lift can be called whilst swivelled and from each end. No seat height penalty.

**Technical:** It can be manually overridden in the event of an emergency by using the swivel levers.



**Feature:** **Two-Way Powered Swivel Seat (Option)**

**Function:** Allows the user to swivel at the bottom of the stairs as well as the top. The seat will automatically swivel if the user applies constant pressure to the directional controls. The seat cannot swivel downwards when travelling, it will only swivel downwards when its at the bottom landing.

**Benefit:** The user can get on and off the stairlift easily without having to stand on the footrest. This is also beneficial in narrow hallways. This option is useful when there are multiple users, the chair can be called from each end, even if its left swivelled. No seat height penalty.

**Technical:** The two-way powered swivel is the same swivel unit as the one-way. It is converted to a two-way by adjusting a switch inside the swivel unit. There is a manual override function which can be used if needed.

**Feature:** **Easy Folding (Standard)**

**Function:** A link connects the seat to the footrest so that when folding the seat up, the footrest automatically folds up too.

**Benefit:** The user does not have to bend down to fold away the footrest separately. This is especially beneficial at the top of the stairs as the user is not having to lean down the stairs when folding.



**Feature:** **Footrest Fold Button (Optional)**

**Function:** To allow the user the ability to automatically raise or lower the footrest at a touch of a button, separate from the seat.

**Benefit:** Enables the user to get in and out of the chair with the footrest folded.



**Feature:** **Power Key (Standard)**

**Function:** Allows the user to lock the stairlift in the 'off' position. The stairlift cannot be used unless the power key is inserted. The power key is located on the side of the chair.

**Benefit:** Prevents other people from using the stairlift, e.g. young children.



# Detailed Product Descriptions



**Feature:** **Safety Edges**

**Function:** The footrest and carriage on the stairlift have safety edges that can detect an obstruction, e.g. a pet or a book. If an obstruction is detected, the stairlift will automatically stop. The stairlift can be moved in the opposite direction to the obstruction. This allows the obstruction to be removed so normal operation can continue.

**Benefit:** Operation of the stairlift is safe for the user and others on the stairs.



**Feature:** **Adjustable Seat Height**  
(Set during manufacture or by installer / technician)

**Function:** Seat height can be adjusted to suit the user.  
The seat to footrest height is adjustable from:  
390mm (15.4") 415mm (16.3") 440mm (17.3")  
465mm (18.3") 490mm (19.3")

**Benefit:** The stairlift is tailored to the end user, making it more comfortable to use. This is especially beneficial to wheelchair users who need to transfer to and from a wheelchair.



**Feature:** **Stairlift Directional Controls**

**Function:** To operate the stairlift in the required direction of travel.

**Benefit:** The user can easily and safely operate the stairlift.

**Technical:** Controls require constant pressure to operate. Can be fitted in either arm.

NB: The arm controls will always override the wall controls

**Feature:** **Power-on Light**

**Function:** When the stairlift is switched on the light around the on / off switch will come on, indicating the stairlift is ready to use.

**Benefit:** You can see whether the stairlift is ready to use.



**Feature:** **Rail Racking Protection**

**Function:** A cover that protects and conceals the racking on the rail. Located on the wall side of the rail.

**Benefit:** It helps to keep your stairlift clean and free from dust and dirt.



**Feature:** **Ankle Straps** (Picture shows 260 interface and footrest)

**Function:** Velcro fastening straps around the ankles to hold the user's feet in place.

**Benefit:** Safety straps for users with restricted control over their feet movement. (Only to be used where a carer is present).



**Feature:** **Continuous Battery Charging**

**Function:** To constantly charge the batteries regardless of where the stairlift is parked on the rail.

**Benefit:** Ensures your stairlift cannot be left off charge and is always ready to use.

**Technical:** Charging strip is located on the wall side of the rail.



# Detailed Product Descriptions



**Feature:** **Emergency Drive**

**Function:** In the event the stairlift breaks down mid-travel, the user or service engineer / technician can move the stairlift manually using the emergency drive.

**Benefit:** In the even of a breakdown, the service engineer / technician has the necessary devices to help move the stairlift.



**Feature:** **User Display Panel**

**Function:** To allow the user / technician the ability to see the status of the stairlift.

**Benefit:** Will aid in the speeding up of diagnosing problems if they occur with the stairlift.



**Feature:** **Intermediate Swivel Seat Locking Positions**

**Function:** To allow the user to manually swivel the seat in small steps. The user simply releases the swivel levers to enable this to happen.

**Benefit:** Easy and safe swivelling of the stairlift at the top of the stairs.



**Feature:** **Arm Isolation**

**Function:** Prevents the seated user from operating the stairlift unless the arm is lowered.

**Benefit:** Increase safety of user.



**Stylish and innovative, offering a high degree of user functionality and feedback**



## **1 Light Sequence**

### **Lights rotating**

Batteries OK.

### **Lights on constantly**

Batteries low on power - change batteries as soon as possible.

### **No light**

Batteries have no power - change batteries.

## **2 Ergonomic Design**

Easy to use.

### **Use with a powered swivel chair**

With a powered swivel chair the wall control can be used to recall the chair, even if the chair has been left at the top of the stairs.

# 600 Siena Product Comparison

Key: S = Standard - = Not Available POPT = Price Option

| User / Installation Features                          | 600 MODEL |             |       |
|---|-----------|-------------|-------|
|   | Starla    | Solus/Sofia | Siena |
| <b>Stairlift Rail</b>                                 |           |             |       |
| Made to measure rail length                           | S         | S           | S     |
| Pre-racked rail (racked)                              | POPT      | POPT        | POPT  |
| Un-racked rail (un-racked)                            | POPT      | POPT        | POPT  |
| Wall ties / brackets                                  | POPT      | POPT        | POPT  |
| Rail racking protection                               | S         | S           | S     |
| <b>Stairlift Chair</b>                                |           |             |       |
| Swivel seat (manual control)                          | S         | S           | S     |
| Two-way manual swivel seat                            | POPT      | -           | -     |
| Powered swivel seat                                   | POPT      | POPT        | POPT  |
| Two-way powered swivel seat                           | POPT      | POPT        | POPT  |
| Powered swivel conversion kit                         | POPT      | -           | POPT  |
| Powered swivel hand-winding tool (std with P/Swivels) | S         | S           | S     |
| Intermediate swivel seat locking positions            | S         | S           | S     |
| Chair key   | S         | S           | S     |
| On/Off switch   | S         | S           | S     |
| Adjustable seat height (set by installer)             | S         | S           | S     |
| Easy one-step folding (including the footrest)        | -         | S           | -     |
| Easy folding (armrest to footrest link)               | S         | -           | S     |
| Footrest fold button                                  | POPT      | POPT        | POPT  |
| Adjustable armrests                                   | -         | S           | -     |
| Seat sensor   | S         | S           | -     |
| Chair link bar removal kit                            | -         | POPT        | -     |
| Reduced seat  | -         | POPT        | -     |
| Slim / wide arms                                      | -         | -           | POPT  |
| <b>Stairlift controls / Control Type</b>              |           |             |       |
| Infra-red controls                                    | S         | S           | S     |
| Joystick stairlift control                            | S         | -           | S     |
| 3-in-1 Control pod (key, on/off & directional)        | -         | S           | -     |
| Additional remote control (IR only)                   | POPT      | POPT        | POPT  |
| <b>Seatbelt options</b>                               |           |             |       |
| SL seatbelt   | -         | POPT        | -     |
| Immobiliser seatbelt                                  | POPT      | POPT        | POPT  |
| Starla seatbelt                                       | POPT      | -           | POPT  |
| Lap diagonal seatbelt                                 | POPT      | -           | POPT  |
| Lap retractable seatbelt                              | -         | -           | POPT  |
| Five-point seatbelt                                   | POPT      | POPT        | POPT  |
| Ankle straps  | POPT      | POPT        | POPT  |
| <b>Performance Features</b>                           |           |             |       |
| Cushioned start / stop                                | S         | S           | S     |
| Smooth ride   | S         | S           | S     |
| Over-speed governor                                   | S         | S           | S     |
| Off-charge warning sounder                            | S         | S           | S     |
| Power-on light  | S         | S           | S     |
| Electric hand-winding                                 | S         | S           | S     |
| Safety sensors  | S         | S           | S     |

# 600 Siena Product Comparison

Key: S = Standard - = Not Available POPT = Price Option

| User / Installation Features  | 600 MODEL                                   |   |   |
|---|---|---|---|
|   | Starla                                      | Solus/Sofia   | Siena                                       |
| <b>Styling</b><br>Seat upholstery<br>Seat upholstery colours  | S<br>5                                      | S<br>12   | S<br>4                                      |
| <b>Special fabrics / colours</b><br>Woven<br>Vinyl<br>Leather   | ✓<br>✓<br>X                                 | ✓<br>✓<br>✓   | X<br>✓<br>X                                 |
| <b>Seat upholstery finishes</b><br>Fully upholstered<br>Light wood<br>Dark wood   | ✓<br>✓<br>✓                                 | ✓<br>X<br>X   | ✓<br>X<br>X                                 |
| <b>Rail colours</b><br>Silver anodised<br>Bronze anodized<br>Footrest carpet colour<br>Leather care kit<br>Product colour   | ✓<br>✓<br><b>TAUPE</b><br>-<br><b>PEARL</b> | ✓<br>✓<br><b>TAUPE</b><br><b>POPT</b><br><b>PEARL</b> | ✓<br>✓<br><b>TAUPE</b><br>-<br><b>PEARL</b> |
| <b>Other Options</b><br><b>Door Open Sounder</b><br>A warning buzzer / sounder is fitted to the door to make the user aware if the door is open, a buzzer will begin  | <b>POPT</b>                                 | <b>POPT</b>   | <b>POPT</b>                                 |
| <b>Door Obstruction Sounder</b><br>A warning sounder is fitted to the door to make you aware if the door is open  | <b>POPT</b>                                 | <b>POPT</b>   | <b>POPT</b>                                 |
| <b>Terminus Sounder</b><br>Some users may suffer from conditions which cause a reduction in mental capacity, e.g. Dementia and Alzheimers disease. It may be useful in these cases to add a terminus sounder that will alert the user that they have reached either the top or bottom of the stairs | <b>POPT</b>                                 | <b>POPT</b>   | <b>POPT</b>                                 |
| <b>Door Closing Device</b><br>Used to ensure that the door is closed so as not to cause an obstruction for the stairlift or user  | <b>POPT</b>                                 | <b>POPT</b>   | <b>POPT</b>                                 |

# 600 Siena Upholstery

**Feature:** A standard and XL chair option

**Detail:** This Siena is available in fully upholstered heavy duty vinyl in five classic colours. The vinyl is both flame retardant and comes with antimicrobial protection. All the upholstery colours illustrated here are available with any of the two rail colours.

The Siena is available in a standard and XL arm option, tailored to the user and their staircase. The standard arm option is 425mm wide, measured at the armrest, whilst the XL arm version is 496mm wide, measured at the armrest.

## Vinyl Upholstery



# 600 Siena Dimension Charts

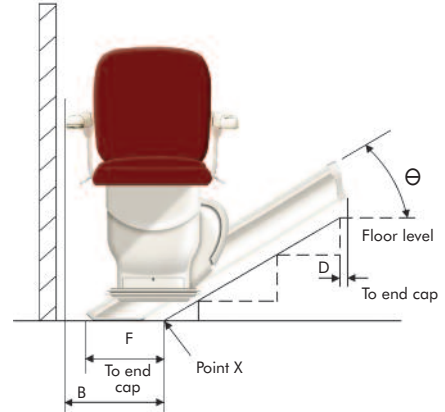
## Standard dimensions

| $\theta$ | B   | C   | D   | D+  | E   | F   |
|----------|-----|-----|-----|-----|-----|-----|
| 24       | 398 | 100 | -72 | 153 | 146 | 213 |
| 25       | 399 | 100 | -62 | 152 | 137 | 212 |
| 26       | 401 | 99  | -53 | 152 | 129 | 210 |
| 27       | 404 | 99  | -45 | 152 | 122 | 209 |
| 28       | 406 | 99  | -37 | 151 | 116 | 208 |
| 29       | 409 | 98  | -30 | 150 | 110 | 207 |
| 30       | 411 | 98  | -24 | 149 | 104 | 207 |
| 31       | 414 | 97  | -18 | 148 | 100 | 206 |
| 32       | 417 | 96  | -13 | 147 | 95  | 206 |
| 33       | 420 | 95  | -8  | 146 | 91  | 205 |
| 34       | 423 | 95  | -4  | 145 | 88  | 205 |
| 35       | 427 | 94  | 0   | 143 | 84  | 205 |
| 36       | 430 | 93  | 4   | 142 | 81  | 205 |
| 37       | 433 | 91  | 7   | 140 | 78  | 204 |
| 38       | 437 | 90  | 10  | 138 | 76  | 204 |
| 39       | 440 | 89  | 13  | 136 | 74  | 204 |
| 40       | 444 | 84  | 19  | 134 | 72  | 204 |
| 41       | 447 | 86  | 17  | 132 | 70  | 204 |
| 42       | 451 | 84  | 19  | 130 | 69  | 204 |
| 43       | 454 | 83  | 20  | 128 | 67  | 204 |
| 44       | 458 | 81  | 22  | 125 | 66  | 204 |
| 45       | 462 | 79  | 23  | 123 | 65  | 204 |
| 46       | 463 | 79  | 25  | 122 | 64  | 202 |
| 47       | 465 | 80  | 28  | 121 | 63  | 200 |
| 48       | 467 | 80  | 30  | 120 | 63  | 198 |
| 49       | 469 | 79  | 32  | 119 | 62  | 197 |
| 50       | 472 | 79  | 34  | 117 | 62  | 195 |
| 51       | 474 | 79  | 35  | 116 | 62  | 194 |
| 52       | 476 | 79  | 36  | 115 | 62  | 193 |

### KEY

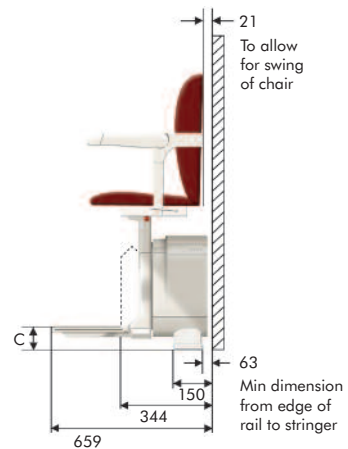
- B: Clear space required from point X
- C: Bottom footrest height
- D: Rail overhang for footrest level with upper floor
- D+: Rail overhang for footrest height 100mm above upper floor
- E: Gap between footrest and upper floor with footrest level with upper floor
- F: Rail protrusion past point X

## 600 Dimension chart 1 Siena chair in standard position



### NOTE

The rail should be shortened or moved up to achieve dimension B + 100mm clearance



### NOTE

Stannah recommend adding a minimum 100mm safety clearance to dimension B

Dimensions chart shown in mm

# 600 Siena Dimension Charts

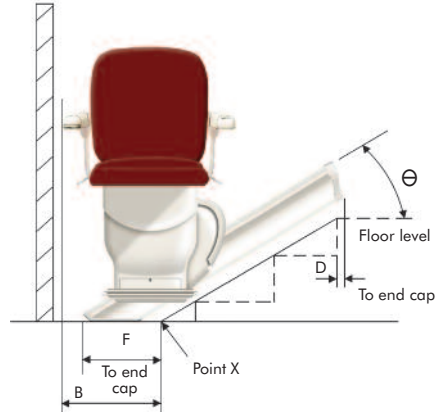
## XL dimensions

| $\theta$ | B   | C   | D   | D+  | E   | F   |
|----------|-----|-----|-----|-----|-----|-----|
| 24       | 420 | 100 | -72 | 153 | 146 | 213 |
| 25       | 421 | 100 | -62 | 152 | 137 | 212 |
| 26       | 423 | 99  | -53 | 152 | 129 | 210 |
| 27       | 426 | 99  | -45 | 152 | 122 | 209 |
| 28       | 428 | 99  | -37 | 151 | 116 | 208 |
| 29       | 431 | 98  | -30 | 150 | 110 | 207 |
| 30       | 433 | 98  | -24 | 149 | 104 | 207 |
| 31       | 436 | 97  | -18 | 148 | 100 | 206 |
| 32       | 439 | 96  | -13 | 147 | 95  | 206 |
| 33       | 442 | 95  | -8  | 146 | 91  | 205 |
| 34       | 445 | 95  | -4  | 145 | 88  | 205 |
| 35       | 449 | 94  | 0   | 143 | 84  | 205 |
| 36       | 452 | 93  | 4   | 142 | 81  | 205 |
| 37       | 455 | 91  | 7   | 140 | 78  | 204 |
| 38       | 459 | 90  | 10  | 138 | 76  | 204 |
| 39       | 462 | 89  | 13  | 136 | 74  | 204 |
| 40       | 466 | 84  | 19  | 134 | 72  | 204 |
| 41       | 469 | 86  | 17  | 132 | 70  | 204 |
| 42       | 473 | 84  | 19  | 130 | 69  | 204 |
| 43       | 476 | 83  | 20  | 128 | 67  | 204 |
| 44       | 480 | 81  | 22  | 125 | 66  | 204 |
| 45       | 484 | 79  | 23  | 123 | 65  | 204 |
| 46       | 485 | 79  | 25  | 122 | 64  | 202 |
| 47       | 487 | 80  | 28  | 121 | 63  | 200 |
| 48       | 489 | 80  | 30  | 120 | 63  | 198 |
| 49       | 491 | 79  | 32  | 119 | 62  | 197 |
| 50       | 494 | 79  | 34  | 117 | 62  | 195 |
| 51       | 496 | 79  | 35  | 116 | 62  | 194 |
| 52       | 498 | 79  | 36  | 115 | 62  | 193 |

### KEY

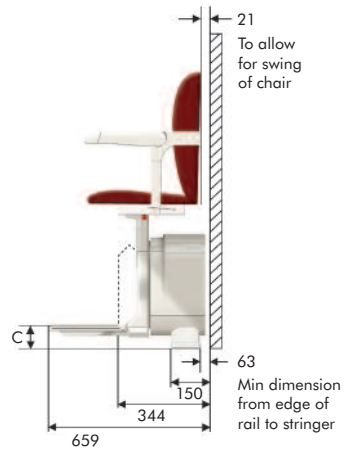
- B: Clear space required from point X  
 C: Bottom footrest height  
 D: Rail overhang for footrest level with upper floor  
 D+: Rail overhang for footrest height 100mm above upper floor  
 E: Gap between footrest and upper floor with footrest level with upper floor  
 F: Rail protrusion past point X

## 600 Dimension chart 1 Siena chair in standard position



### NOTE

The rail should be shortened or moved up to achieve dimension B + 100mm clearance



### NOTE

Stannah recommend adding a minimum 100mm safety clearance to dimension B

Dimensions chart shown in mm

# Battery Questions and Answers

## Why does the stairlift use batteries?

Battery power allows the stairlift to start and stop smoothly. What's more the stairlift will continue to work in the event of a power cut / outage.

## Could the batteries run out half way up the stairs?

The stairlift automatically recharges to ensure it is always ready for the next journey. If the battery voltage is low, the stairlift will still travel to the bottom of the stairs.

## Will the batteries leak?

No! They are sealed units and cannot leak.

## How long will the batteries last before they need to be replaced?

The batteries typically last three to five years, much like a car battery, may need to be replaced sometime after that. The batteries are guaranteed for a three year period. (Warranty is market specific).

## 600 product

Return journey = one complete rail length in up direction and one complete rail length in down direction.

Maximum number back-to-back return journeys (52° rail angle, 160kg load @ 23°C)

| 600 Product          |  |   |  |   |
|----------------------|--|---|--|---|
| Rail Length (Metres) | Complete Return Journeys (7.6Ah batteries) | Time taken to fully recharge batteries after 1 complete return journey (minutes) - standard charger | Complete Return Journeys (9Ah batteries) | Time taken to fully recharge batteries after 1 complete return journey (minutes) - heavy duty charger |
| 2                    | 42   | 8   | 49                                       | 5   |
| 3                    | 28   | 11  | 33                                       | 7   |
| 4                    | 21   | 15  | 24                                       | 9   |
| 5                    | 16   | 18  | 18                                       | 11  |
| 6                    | 14   | 22  | 20                                       | 13  |
| 7                    | 12   | 25  | 14                                       | 15  |
| 8                    | 10   | 29  | 11                                       | 17  |
| 9                    | 9  | 32  | 10                                       | 19  |
| 10                   | 8  | 36  | 9  | 21  |
| 11                   | 7  | 40  | 8  | 23  |
| 12                   | 7  | 43  | 8  | 25  |

## **If you need extra information...**

If you require any further guidance relating to any of the information within this document, please contact the Stannah Marketing Team:

**T: + 44 (0) 1264 345277**

F: + 44 (0) 1264 362276

E: [marketingsupport@stannah.co.uk](mailto:marketingsupport@stannah.co.uk)

# **Stannah**

Stannah Stairlifts, Watt Close, East Portway, Andover,  
Hampshire SP10 3SD United Kingdom [www.stannah.com](http://www.stannah.com)

Issue 1 January 2013