

600B520/02
April 2000

The logo for Valor, featuring a stylized flame icon to the left of the word "Valor" in a bold, sans-serif font.The logo for OXYSAFE, with the word "OXYSAFE" in a bold, sans-serif font. The letter "A" is stylized with a flame-like shape inside it.

INSTALLATION & SERVICING INSTRUCTIONS

RADIANT / CONVECTOR GAS FIRES

***Favourite
MODEL 322***

***Firelite
MODEL 328***

***&
Regency
MODEL 328***



**THIS APPLIANCE IS FOR USE WITH NATURAL GAS (G20) AT A
SUPPLY PRESSURE OF 20mbar (8 in w.g.)
THIS APPLIANCE IS FOR USE IN THE UNITED KINGDOM (GB) AND
THE REPUBLIC OF IRELAND (IE) ONLY**

We trust that these instructions give sufficient details to enable this appliance to be installed and maintained satisfactorily. However if further information is required, our **Valor advice line** will be pleased to help.
Ring 0345 626 341 (local call rates apply).

INSTALLER: Please leave these instructions with the owner

Safety First.

Valor fires are CE Approved and designed to meet the appropriate British Standards and Safety Marks.



Quality and Excellence.

At the heart of every Valor fire.

All Valor fires are manufactured to the highest standards of quality and excellence and are manufactured under a BS EN ISO 9001 quality system accepted by the British Standards Institute.



The Highest Standards

Valor is a member of the Society of British Gas Industries which works to ensure high standards of safety, quality and performance.



Careful Installation

Valor is a Corgi registered company. All our gas fires must be installed by a competent Corgi Registered Installer in accordance with our Installer Guide and should not be fitted directly on to a carpet or floor of combustible material.



Masters of the living flame.

Valor Heating, Erdington, Birmingham B24 9QP

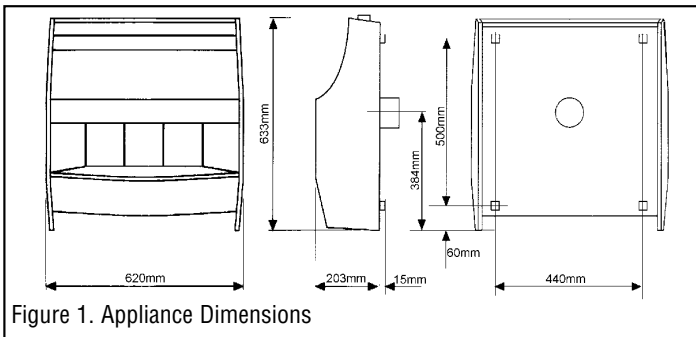
Because our policy is one of constant development and improvement, details may vary slightly from those given in this publication

© Valor Heating

Because our policy is one of constant development and improvement, details may vary slightly from those given in this publication.

LIST OF CONTENTS

	Page
Appliance dimensions.....	3
INSTALLER SECTION.....	4
Appliance data.....	4
General installation requirements.....	4
Unpacking & pre-installation preparation.....	7
Carton contents.....	7
Fireplace flue pull check.....	7
Appliance preparation.....	7
Closure plate fitting.....	8
Appliance installation.....	9
Installing to a hearth.....	9
Wall mounting.....	9
Gas supply connection.....	9
Fitting the radiants.....	9
Full operating checks.....	9
Control setting check.....	9
Fitting bottom panel & trims.....	10
Spillage check.....	10
Fitting dress guard.....	11
Final review.....	11
Servicing & parts replacement.....	11
Replacing radiants.....	12
Access to burner, pilot, tap, etc.....	12
Replacing pilot.....	12
Removing burner, tap & pilot.....	12
Replacing gas tap or injectors.....	12
Replacing piezo generator.....	12
Greasing gas tap.....	13
Removing complete fire.....	13
Spares short list.....	13



INSTALLATION & SERVICING INSTRUCTIONS

1. APPLIANCE DATA

This appliance does not contain any component manufactured from asbestos or asbestos related products.

The appliance data label is on the inner face of the back panel at the lower left hand side. It is visible when the outer case is removed.

Gas:	Natural (G20)
Inlet pressure:	20mbar (8in. w.g.)
Input - Max:	5.28kW (18,000Btu/h)
(Gross) Min:	1.25kW (4,300Btu/h)
Output - Max:	3.2kW (10,900Btu/h)
Min:	0.56kW (1,900Btu/h)
Burner injectors:	
Upper (Centre radiant)	Bray cat 28 size 120
Lower (Outer radiants)	Bray cat 28 size 250B
Burner test pressure	
(cold):	18.3mbar (7.2in w.g.)
Inlet pipe connection:	Rp1/4 (1/4" BSP)
Pilot & Atmosphere	
sensing device	SIT ref. OP9044
Ignition:	Piezo electric
	Integral with gas tap
Aeration:	Non-adjustable.

2. GENERAL INSTALLATION REQUIREMENTS

2.1 For the user's protection, in the United Kingdom it is the law that all gas appliances are installed by competent persons in accordance with the current edition of the Gas Safety (Installation and Use) Regulations. Failure to install the appliance correctly could lead to prosecution. The Council for the Registration of Gas Installers (CORGI) requires its members to work to recognised standards.

In the United Kingdom the installation must also be in accordance with:

- A. These instructions.
- B. All the relevant parts of local regulations.
- C. The current edition of the Building Regulations issued by the Department of the Environment and the Welsh Office or the Building Standards (Scotland) Regulations issued by the Scottish Development Department.
- D. All relevant codes of practice.
- E. The relevant parts of the current editions of the following British Standards:-

BS 715	BS 1251
BS 1289 Part 1	BS 1289 Part 2
BS 4543 Part 2	BS 5440 Part 1
BS 5440 Part 2	BS 5871 Part 1
BS 6461 Part 1	BS 6891

In the Republic of Ireland the installation must also conform with the relevant parts of:

- a) The current editions of:-

IS 813
ICP3
 - b) All relevant national and local rules in force.
- 2.2** The appliance must not stand on a carpet or any other combustible material.

If a panel has to be fitted to the fireplace opening to meet the required opening sizes shown in these instructions it must be made of non-combustible material.

2.3 The appliance can be installed in the following situations.

INSTALLATION & SERVICING INSTRUCTIONS

2.3.1 Conventional fireplace and hearth

The appliance can be installed to a fireplace complete with surround and hearth.

The fireplace opening must be within the following dimensions:

Width: Max. 457mm
 Min. 305mm
 Height Max: 610mm*
 Min. 510mm

* Though the total height of the closure plate will accommodate a maximum opening height of 650mm, heights above 610mm will leave the closure plate and sealing tape visible above the appliance.

The appliance must be mounted on a non-combustible hearth (N.B. conglomerate marble hearths are considered as non-combustible). The hearth must be at least 880mm wide x 300mm deep. The hearth material must be at least 12mm thick. The periphery of the hearth (or fender) should be at least 50mm above floor level to discourage the placing of carpets or rugs over it.

The appliance can be fitted to a purpose made proprietary class "O" - 100°C or O"-150°C surround.

2.3.2. Wall mounted

The appliance can be wall mounted.

The appliance is not suitable for installation on combustible walls.

The opening must be within the following dimensions:

Width: Max. 356mm
 Min. 305mm
 Height: Max. 610mm*
 Min. 376mm

* Though the total height of the closure plate will accommodate a maximum opening height of 650mm, heights above 610mm will leave the closure plate and sealing tape visible above the appliance.

The bottom of the fire must be at least 102mm above the finished floor covering. This requires that the top of the opening must be at least 612mm above the finished floor covering.

2.3.3. Precast flue

The appliance can be installed to a fireplace that has a precast concrete or clay flue block system conforming to BS1289. The appliance is suitable for installations conforming to older versions of BS1289 as well as the current edition. The flue blocks must have a minimum width not less than

63mm and a cross-sectional area not less than 13,000mm². Older editions of BS1289 required a cross-sectional area of 13,000mm². The current revision of the standard requires 16,500mm². This appliance is suitable in both cases.

The chimney should be one or two storeys high but not less than 3m vertical height and be correctly terminated. No mortar fangs between the blocks should be extruded into the flueway. If raking blocks are used, they must be fitted in accordance with the manufacturer's instructions. Mortar must not be allowed to drop down and accumulate in the raked positions.

The fireplace opening must be within the following dimensions:

Width: Max. 457mm
 Min: 305mm
 Height Max: 610mm*
 Min. 610mm*

2.3.4. Metal flue box

The appliance can be installed to a metal flue box complying with the constructional requirements of the current edition of BS715.

The opening must be within the following dimensions:

Width: Max. 457mm
 Min: 380mm
 Height Max: 610mm*
 Min. 510mm

* Though the total height of the closure plate will accommodate a maximum opening height of 650mm, heights above 610mm will leave the closure plate and sealing tape visible above the appliance.

2.4. Flues

Suitable flues are:

- a) 225mm x 225mm conventional brick flue. If a liner is used, it must be a minimum of 127mm (5in.) diameter. The liner must be sealed to the surrounding area above the fireplace opening and to the top of the chimney and have an approved terminal.
- b) A properly constructed precast flue conforming to BS1289 (See section.2.2.3.)

INSTALLATION & SERVICING INSTRUCTIONS

c) A flue pipe with a minimum diameter of 127mm (5in.). See BS6461 Part 1 for suitable materials.

Metal flue pipes must comply with BS715. See section 2.2.4. for metal flue box requirements.

- 2.4.1.** The flue must have a minimum equivalent height of 3m.
- 2.4.2.** The flue must serve only one fireplace.
- 2.4.3.** Any damper or register plate should be removed. If removal is not possible without carrying out structural work, the damper or plate may be left in the flue provided that it is permanently secured in the fully open position
- 2.4.4.** If the appliance is intended to be installed to a chimney which was previously used for solid fuel, the flue must be swept clean prior to installation. All flues should be inspected for soundness and freedom from blockages.
- 2.5** If the fireplace opening is an underfloor draught type, it must be sealed to stop any draughts.
- 2.6.** The flue spigot and any spigot extension must be capable of passing through the closure plate by at least 25mm with a minimum clearance of 50mm between its open end and the nearest obstruction. There must be a minimum clearance of 165mm between the back of the closure plate and the back of the catchment space. The catchment space below the flue spigot must extend at least 250mm downwards measured from the bottom of the flue spigot.
See figure 2.
- 2.7.** The front face of the fireplace should be reasonably flat to ensure that a good seal can be made with the closure plate.
- 2.8.** The minimum clearance from the top surface of the appliance to the underside of any shelf made from wood or other combustible materials is as follows:-
- For a shelf up to 150mm deep

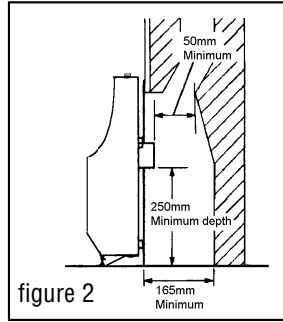


figure 2

Minimum height = 203mm

- For a shelf deeper than 150mm
203mm + 12.5mm for every 25mm depth over 150mm.
- 2.9.** The minimum allowable distance to a corner wall or other projection at either side of the appliance is 100mm.
- 2.10** The space between the back of the outer case and the front face of the fireplace must not be filled in.
- 2.11.** Note that soft wall coverings (e.g. embossed vinyl, etc.) are easily affected by heat. They may scorch or become discoloured when close to a heating appliance. Please bear this in mind when installing.
- 2.12.** An extractor fan may only be used in the same room as this appliance, or in any area from which ventilation for the appliance is taken, if it does not affect the safe performance of the appliance. Note the spillage test requirements detailed further on in this manual. If the fan is likely to affect the appliance, the appliance must not be installed unless the fan is permanently disconnected.
- 2.13.** No special ventilation bricks or vents are required in the room for this appliance.

INSTALLATION & SERVICING INSTRUCTIONS

3. UNPACKING & PRE-INSTALLATION PREPERATION

3.1 CARTON CONTENTS

The carton contains:

- 1 Fire assembly
- 3 Radiants (In pack in radiant box)
- 1 Closure plate
- 1 Floor plate
- 1 Flue spigot
- 1 Spigot restrictor
- 4 Screws for spigot
- 1 Set of installation & users instructions

Carefully remove the contents. Check that all the listed parts are present and in satisfactory condition.

3.2. FIREPLACE FLUE PULL

After preparing the fireplace, apply a lighted match, paper or smoke match to the chimney opening. Observe the smoke. If there is a definite flow into the opening continue with the installation. If there is not a definite flow, preheat the chimney for a few minutes and recheck. If there is still no definite flow, the chimney may need attention. Do not fit the appliance. Seek expert advice.

3.3. APPLIANCE PREPARATION

Stand the fire on its base.

- 3.3.1. Remove the dress guard by pressing down the two hooks at the top. Tilt the guard forward and lift out.
- 3.3.2. Remove the two (one each side) side trim retaining screws which are located in the bottom edge of the hood just above the side trims. Remove the side trims by pulling forward and up to clear the retaining slots.
- 3.3.3. Lift up the bottom panel and pull forward to clear.
- 3.3.4. Remove the radiant pack.
- 3.3.5. Remove any protective film from all the bright trims.
- 3.3.6. Check ignition spark
Before attempting to install, it is worth

checking that the piezo electric spark ignition system operates satisfactorily.

To initiate the spark, depress the control knob and while keeping it depressed, turn to the 1/IGN position. A spark should track from the electrode pin to the thermocouple tip. If there is no spark or incorrect tracking, check the spark gap between the electrode wire and thermocouple tip (*see figure 3*). If the spark gap is correct, check the ignition wiring.

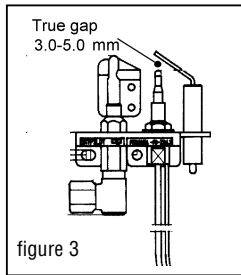


figure 3

- 3.3.7. Fit the flue spigot to the back of the fire using four screws provided. The fire is supplied with a spigot restrictor which is intended for use where the flue draught is excessive. The restrictor must not be fitted to a flue with an effective height less than 4m or where a precast flue is used. Where the restrictor is required, fit it, at this stage, between the flue spigot and the back of the fire. There may, however, be certain exceptional circumstances where fitting the restrictor causes the fire to fail the spillage test (see section 5.3.4). In such cases the restrictor will have to be removed.
- 3.3.8. If the fire is fitted to a recessed fireplace, an extension flue spigot up to a maximum total length of 125mm may be used. The extension must be a tight fit over the flue spigot and be secured by two self tapping screws. Note the minimum clearance required as shown in *figure 2*.

INSTALLATION & SERVICING INSTRUCTIONS

3.4. FITTING THE CLOSURE PLATE (Figures 4 & 5)

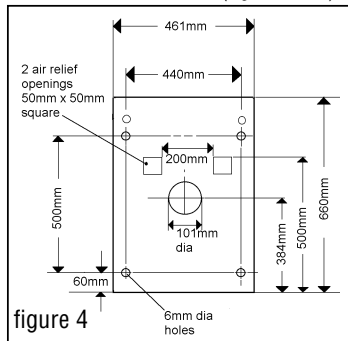


figure 4

3.4.1. If a centre gas pipe connection is required cut an opening at the bottom of the closure plate. (The gap between the pipe and the opening in the closure plate should be sealed with tape after connection.)

3.4.2. Hearth mounting (figure 5)

The closure plate must be fitted and sealed to the hearth and fireplace opening using a suitable heat resistant material. If necessary cut the closure plate. Leave the closure plate sufficiently large to overlap the fireplace opening by 25mm. Make sure that the rectangular air relief openings are fully within the fireplace opening.

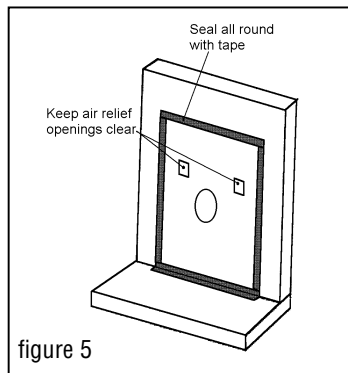


figure 5

3.4.3 Wall mounting (Figure 6)

The closure plate must be fitted and sealed to the fireplace opening using a suitable heat

resistant material. If necessary cut the closure plate. Leave the closure plate sufficiently large to overlap the fireplace opening by 25mm. Make sure that the rectangular air relief openings are fully within the fireplace opening.

The bottom of the fire must be at least 102mm above any carpet or other floor covering. To achieve this, the bottom of the closure plate must also be at least 102mm above the finished floor covering. The centre of the flue spigot hole will be at least 486mm above the finished floor covering.

1. To improve appearance, remove the front adjustment screws from the bottom bar of the fire.
2. Place the closure plate over the fireplace opening in its proper position.
3. Mark the positions of the four wall fixing holes. Use only the lower of the top two pairs of holes.
4. Remove the plate. Drill and plug the wall using no. 10 wall plugs.
5. Put the closure plate back in position. Make sure that the holes line up with the wall plugs. Seal the plate to the wall with suitable heat resistant tape.

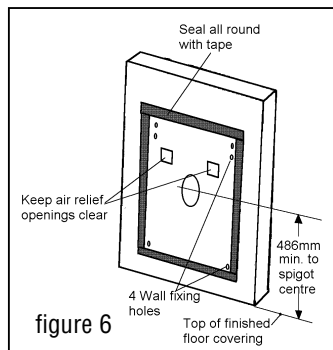


figure 6

3.4.4. Check the flue pull with closure plate fitted by applying a lighted match or smoke match to the flue spigot opening in the closure plate and observe the smoke. If there is a definite flow continue with the installation. If not check the fitting of the closure plate. The fireplace flue pull check described in section 3.2 should have confirmed that the fireplace itself is satisfactory.

INSTALLATION & SERVICING INSTRUCTIONS

4. APPLIANCE INSTALLATION

4.1. INSTALLING TO A HEARTH

4.1.1. Place the fire centrally on the hearth making sure that the spigot lines up with the spigot hole in the closure plate. Gently slide the appliance into place. The spigot must enter the closure plate to a depth of at least 25mm (see figure 2).

4.1.2. Level the appliance on the hearth by slackening the two locknuts and turning the levelling screws in the bottom cross bar up or down as required while they bear on the hearth. When the fire is level and square to the wall, retighten the locknuts.

4.2. WALL MOUNTING

4.2.1. Fit two no. 10 x 2in. long woodscrews in the top two fixing holes. Do not screw fully home at this stage. Leave about 12mm of screw protruding.

4.2.2. Lift the fire and angle it backwards to engage the support brackets on to the top fixing screws. Carefully pivot the fire downwards to engage the flue spigot in the closure plate.

4.2.3. Fit two screws through the bottom spacing brackets and into the lower fixing holes. Fully tighten all four screws.

4.3. GAS SUPPLY CONNECTION

4.3.1. An Rp1/4 (1/4in. B.S.P.) elbow connector is provided. This can be revolved through 360° to the connection position required. If a rear centre connection is required through an opening cut in the closure plate (see section 3.4.1.), seal the gap between the plate and the pipe with tape after connection.

4.3.2. Provision for isolation of the gas supply must be provided upstream of the appliance for safety and servicing.

4.3.3. The supply pipe must be of a rigid material (e.g. copper). A flexible connection must not be made.

4.3.4. Pressure check the installation pipework for gas soundness in accordance with the current edition of BS6891.

4.3.5. Fit the floor plate ensuring that the rear tabs

locate in the slots in the back panel, and the front of the plate rests on the flange at the back of the bottom cross bar (see figure 7). Fitting the plate will be easiest if its right side is first fed in behind the gas tap and thermocouple and the left side of the plate is then swung into the fire.

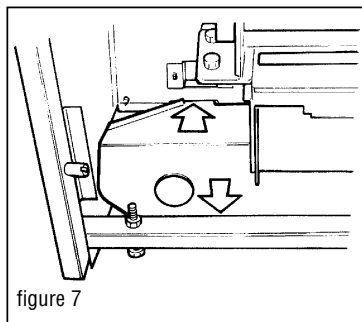


figure 7

4.4. FITTING THE RADIANTS

Fit the radiants ensuring that they rest against the rear support bar and that their bottom front edges are behind the retaining tags near the front of the radiant box.

5. FULL OPERATING CHECKS

5.1. CHECK CONTROL SETTINGS

5.1.1. Depress the control knob and turn anticlockwise partially towards the 1/IGN position until some resistance is felt. Keep depressed at this position for a few seconds to purge air from the system then, while keeping it depressed, turn fully to the 1/IGN position. A spark should be generated at the pilot while turning. The spark should ignite the pilot.

5.1.2. When pilot ignition has been achieved, keep the control knob depressed for approximately ten seconds to allow the thermocouple probe to warm up and then release it. If the pilot does not remain alight, ensure that the air has been purged, that the pilot orifice is clear and that the

INSTALLATION & SERVICING INSTRUCTIONS

thermocouple connections are sound. Replace the pilot unit if necessary (see servicing section of this manual).

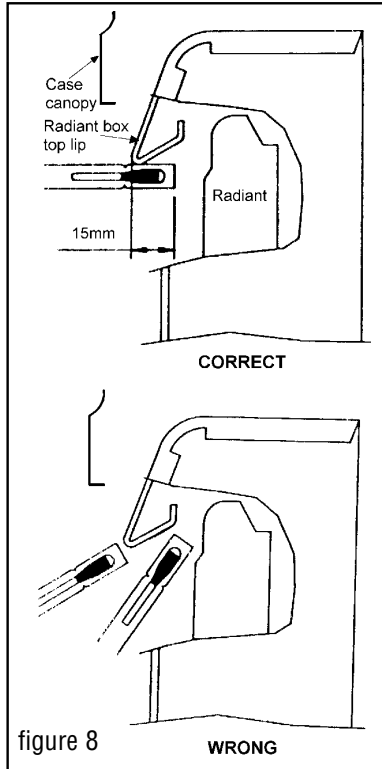


figure 8

5.1.3. Check all the control settings.

These are:-

Knob Position

- 2 Centre radiant on low. Outer radiants off.
- 3 Centre radiant on full. Outer radiants off.
- 4 Centre radiant on full. Outer radiants on low.
- 5 All radiants on full.

5.1.4. Check reference pressure

The appliance is pre-set to give the correct heat input at the inlet pressure shown in section 1 of this manual. No adjustment is

necessary. Check the burner pressure by fitting a pressure gauge at the test point. The test point is on the gas tap. Check the pressure with the appliance alight and set at maximum output (Control position 5).

After checking, turn off the appliance. Remove the pressure gauge and replace the test point sealing screw. Relight the appliance. Turn to the maximum output position and test around the sealing screw for gas soundness with a suitable leak detection fluid.

5.2. FIT THE BOTTOM PANEL & TRIMS

5.2.1. Refit the bottom panel. Make sure that the slots in the sides of the panel locate fully over the pegs at the sides of the main case.

5.2.2. Refit the two side trims and tighten their securing screws.

5.3. SPILLAGE CHECK

A spillage check must be made before leaving the installed appliance with the customer.

5.3.1 Close all doors and windows in the room containing the appliance.

5.3.2 Light the appliance and set the control knob to the maximum position (Position 5).

5.3.3 Leave the appliance on for five minutes.

5.3.4 Place the smoke match tube horizontally under the top lip of the radiant box and at least 50mm away from the sides of the radiant box. See figure 8.

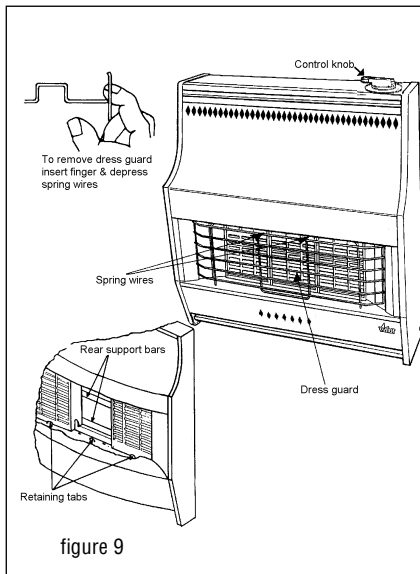
The installation is satisfactory if the smoke is drawn into the appliance. If the smoke is not drawn into the appliance, leave the appliance alight at the maximum setting for a further ten minutes and then repeat the test. If the smoke is still not drawn into the appliance, inspect the sealing of the closure plate. If the sealing is satisfactory but the appliance is installed with the flue restrictor (see section 3.3.7), remove the restrictor, reseal the appliance and retest. If smoke is still not drawn into the appliance Disconnect the appliance and seek expert advice.

5.3.5 If the above test is satisfactory, open all internal connecting doors, hatches, etc. in the room. Keep all doors and windows that open to the outside of the building closed.

INSTALLATION & SERVICING INSTRUCTIONS

recheck for spillage as above. If an extractor fan is installed in the same room as the appliance or a connecting room, check that spillage does not occur with the fan operating and all doors and other openings between the fan and the appliance open. If the smoke is drawn into the appliance, continue with the installation. If the test is not satisfactory, Disconnect the appliance and advise the customer of the cause of failure.

5.4. FIT THE DRESS GUARD



Locate the bottom of the dress guard in the two holes in the bottom panel apron. Engage the two spring projections at the top of the guard in the slots under the front decorative canopy.

6.FINAL REVIEW

- 6.1. Recheck the operation of the control.
- 6.2. Visually inspect the appliance. Clean off any marks incurred during installation.
- 6.3. Advise the customer how to operate the appliance.
- 6.4. Advise the user that the appliance can be lit with a match if necessary by inserting it through the central opening at the bottom of the radiant box.
- 6.5. Advise that the dressguard can be removed to replace the radiants.
- 6.6. Advise that any cleaning must only be carried out when the fire is off and cold.
- 6.7. Mention that the radiants may become brown with use, that this is quite normal and has no adverse effect.
- 6.8. Recommend that the appliance should be serviced and the chimney inspected by a competent person (In the UK a CORGI registered person) at least annually. If the appliance is in premises in the United Kingdom occupied by a tenant, point out that by law a landlord must have any gas appliance, flue and pipework which is situated in a tenant's premises checked for safety at least every 12 months.
- 6.9. Hand these instructions and the user's instructions to the customer.

7.SERVICING & PARTS REPLACEMENT

Always turn off the gas supply and make sure that the appliance is cool before commencing any servicing.

Always test for gas soundness and spillage after servicing the appliance.

It is recommended that, at least once a year, the appliance is disconnected and the catchment space behind the closure plate checked and cleared of any debris. The closure plate must be resealed to the wall after checking.

INSTALLATION & SERVICING INSTRUCTIONS

7.1. TO REPLACE RADIANT(S)

7.1.1. Remove the dress guard by pressing down the two hooks at the top. Tilt the guard forward and lift out.

7.1.2. Remove the old radiant(s) Fit the new radiant(s) ensuring that they rest against the rear support bar and that their bottom front edges are behind the retaining tags near the front of the radiant box.

7.1.3. Replace the dress guard.

Locate the bottom of the dress guard in the two holes in the bottom panel apron. Engage the two spring projections at the top of the guard in the slots under the front decorative canopy.

7.2. TO GAIN ACCESS TO BURNER, PILOT, TAP ETC.

7.2.1. Remove the dress guard by pressing down the two hooks at the top. Tilt the guard forward and lift out.

7.2.2. Remove the two (one each side) side trim retaining screws which are located in the bottom edge of the hood just above the side trims. Remove the side trims by pulling forward and up to clear the retaining slots.

7.2.3. Lift up the bottom panel and pull forward to clear.

7.3. TO REPLACE THE PILOT UNIT

7.3.1. To gain access see section 7.2.

7.3.2. Disconnect the thermocouple connection at the bottom of the gas tap.

7.3.3. Disconnect the pilot pipe from the gas tap. It is the upper connection at the right side of the tap.

7.3.4. Remove the first screw securing the dust cage to the pilot unit / burner. Carefully remove the dust cage and place aside. Remove the second screw securing the pilot unit to the burner.

7.3.5. Disconnect the electrode lead from below the pilot electrode. Carefully remove the dust cage.

7.3.6. Carefully remove the pilot unit together with the pilot pipe then disconnect the pipe from the pilot unit.

7.3.7. Replace in the reverse order.

Note: 1 The pilot unit must be replaced as a whole assembly. Its individual components are not separately replaceable.

2. Once removed, ensure that the dust cage is cleaned before refitting. Make sure that it locates squarely onto the pilot unit without any gaps between the cage edges and the pilot unit.

7.4. TO REMOVE THE BURNER, GAS TAP & PILOT ASSEMBLY

7.4.1. To gain access see section 7.2.

7.4.2. Make sure that the gas tap is in the off position. Disconnect the control spindle & adapter from the gas tap by removing the split pin. Lift the adapter clear of the gas tap spindle.

7.4.3. Disconnect the inlet pipe from the gas tap. It is the lower connection at the right side of the tap.

7.4.4. Slacken the wing nut at the left side of the burner. Remove the screw from the captive nut at the right side of the burner. Carefully remove the burner, tap & pilot unit.

7.4.5. Replace in the reverse order. Leave the burner fixing screw and wing nut loose while reconnecting the inlet pipe to aid alignment.

Make sure that the control knob with spindle is correctly turned to agree with the gas tap position before refitting the split pin.

7.5. TO REPLACE GAS TAP OR INJECTOR(S)

7.5.1. Remove the burner, tap & pilot unit - see section 7.4.

7.5.2. Disconnect the electrode lead from below the pilot electrode.

7.5.3. Disconnect the thermocouple connection at the bottom of the gas tap.

7.5.4. Disconnect the pilot pipe from the gas tap.

7.5.5. Remove the gas tap fixing nut from the burner and slide out the gas tap.

7.5.6. Unscrew the injector(s).

7.5.7. Replace in the reverse order. Take care when replacing the injectors. The injectors have ceramic tips at each end. It is important not to allow jointing compound to get on either end of the injectors.

Make sure that the control knob with spindle is correctly turned to agree with the gas tap position before refitting the split pin.

7.6. TO REPLACE THE PIEZO GENERATOR

7.6.1. Remove burner, tap & pilot unit - see section 7.4.

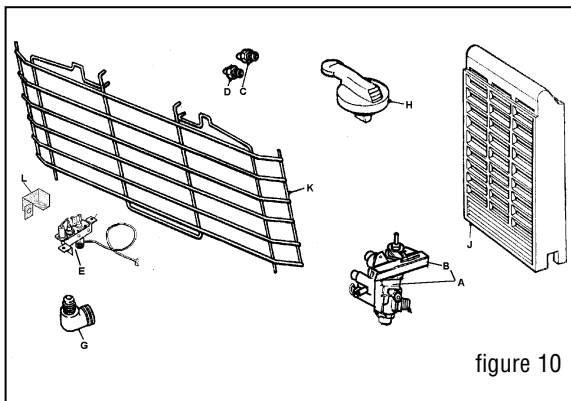
7.6.2. Disconnect the electrode lead from Pilot unit.

7.6.3. Remove the circlip holding the piezo unit to the tap. Remove the piezo unit.

INSTALLATION & SERVICING INSTRUCTIONS

- 7.6.4.** Replace in the reverse order. Make sure that the control knob with spindle is correctly turned to agree with the gas tap position before refitting the split pin.
- 7.7.** TO GREASE THE GAS TAP
- 7.7.1.** Remove the gas tap complete with piezo generator - see section 7.5.
- 7.7.2.** Remove the piezo generator as 7.6. and remove the two screws from the head of the tap.
- 7.7.3.** Remove the spindle and spring from the tap.
- 7.7.4.** Note the position of the slot in the plug. Mark its position on the tap body.
- 7.7.5.** Rotate the plug and pull it out of the tap.
- 7.7.6.** Clean and grease the plug lightly with a suitable grease. Do not apply excessive grease. Particularly, make sure that the gas ports are not restricted by grease.
- 7.7.7.** Push the plug back into the tap body. Line up the slot in the plug with the mark previously made on the tap body.
- 7.7.8.** Reassemble in the reverse order making sure that the components are correctly engaged. Check the operation of the tap and piezo. Make sure that the control knob with spindle is correctly turned to agree with the gas tap position before refitting the split pin.
- 7.8.** TO REMOVE THE COMPLETE FIRE TO CHECK CHIMNEY FOR DEBRIS.
- 7.8.1.** To gain access see section 7.2.
- 7.8.2.** Remove the radiants and store in a safe place.
- 7.8.3.** Remove the floor plate.
- 7.8.4.** Undo the inlet connection at the elbow located centrally below the burner.
- 7.8.5.** If wall mounted, remove the two lower fixing screws located in the back panel below the burner then remove the two upper screws accessible through the upper canopy grill. Lift the fire away from the wall.
- 7.8.6.** If hearth mounted, pull the fire away from the wall. Take care that the levelling screw heads do not scratch the hearth surface.
- 7.8.7.** Remove the closure plate from the chimney opening.
- 7.8.8.** Inspect the opening and clear away any debris from the base of the flue.
- 7.8.9.** Reseal the closure plate and refit the fire in the reverse order.

SHORTLIST OF SPARES



KEY DESCRIPTION	No. OFF	MAKER'S PART No.
A Gas tap	1	544609
B Piezo generator	1	536939
C Injector Upper Bray		
cat 28 size 120	1	544619
D Injector lower Bray		
cat 28 size 250B	1	545199
E Pilot unit	1	545949
G Inlet elbow	1	532519
H Control knob	1	544659
J Radiant	3	544649
K Dress guard	1	523689
L Dust cage	1	567619

USERS INSTRUCTIONS

REPLACING THE RADIANTS

Turn the fire off and allow it to cool before attempting to remove the radiants.

See figure 3.

Remove the dress guard by pressing down the two hooks at the top. Tilt the guard forward and lift out.

Lift the radiant upwards to clear the metal retaining tab then pull out bottom first.

Fit the new radiant by inserting its top under the top lip of the radiant box then swing the bottom of the radiant over and behind the retaining tab. The back of the radiant should rest against the rear support bars and the bottom front edge should be behind the retaining tab.

Replace the dress guard.

Locate the bottom of the dress guard in the two holes in the bottom panel apron. Push the guard back so that the two spring projections at the top of the guard engage in the slots under the front decorative canopy.

Always use the correct type of replacement radiant. Ask for Valor part number 544649 (GC No. 125 164).

MAINTENANCE

Regular maintenance

In order to achieve and maintain high levels of personal safety and performance efficiency, it is essential that the opening at the back of the fire and the flue are kept clear of any form of obstruction. It is possible that deposits of mortar or soot could fall and accumulate causing the flue to be blocked or restricted and so preventing proper clearance of dangerous exhaust fumes.

In the United Kingdom it is the law that a landlord must have any gas appliance, flue and pipework which is situated in a tenant's premises checked for safety at least every twelve months by a competent person (In the U.K, a CORGI registered installer).

We recommend that all gas appliances and their flues, wherever situated, are checked annually.

General servicing

If you require any attention to your fire, contact your supplier mentioning the model name and number. If you require any attention to the outer case or trims, state the case colour. It will also be helpful if the appliance serial number is quoted. This will be found on a label on the right hand side of the case near the bottom.

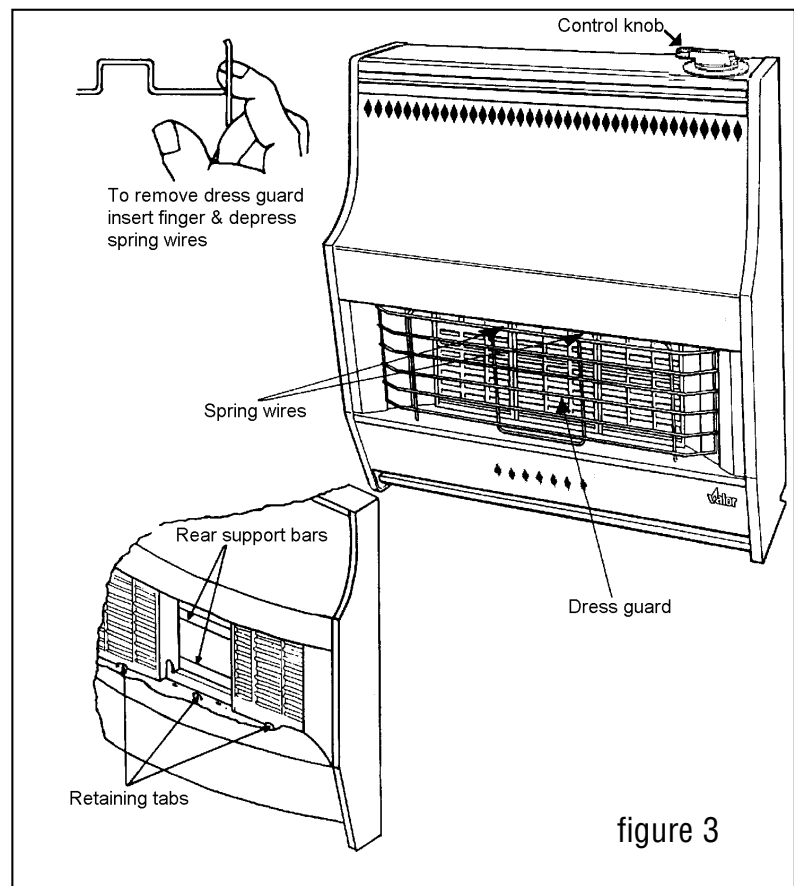
USERS INSTRUCTIONS

CLEANING

Turn the fire off and allow it to cool before attempting any cleaning. Normally the fire will only need dusting. The bright metal trims may be cleaned with a damp cloth and dried with a soft

duster. Obstinate marks can be removed from the guard and trims using soapy water. Never use abrasive cleaners.

The radiants can be cleaned with a soft brush - see below for how to remove the radiants.



USERS INSTRUCTIONS

OPERATING THE FIRE

The flame sensing safety system.

For your safety, this appliance is fitted with a device which will shut down the appliance in the event of abnormal flue conditions. This device is NOT a substitute for an independently mounted Carbon Monoxide detector.

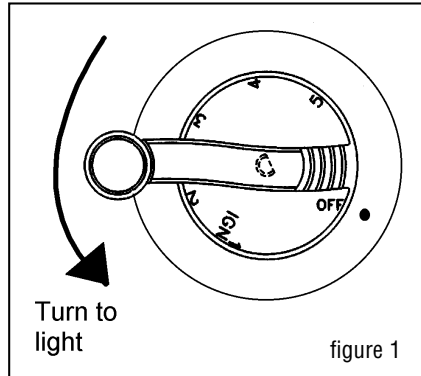
The device will also automatically shut off the gas supply to the fire if the pilot flame goes out due to lack of oxygen or for any other reason.

If this device starts to repeatedly shut off the gas, get expert advice.

This device incorporates a probe which senses that the heat from the pilot flame is correct. If this probe is cool, the device will prevent any gas flow unless the control knob is held down at the ignition position.

If, for any reason, the flames go out when the fire is hot or if the fire is turned off when hot, always wait at least three minutes before attempting to relight.

To light and operate.



Depress the control knob and turn anticlockwise towards the 1/2IGN position (Figure 1). A spark should be generated at the pilot while turning. The spark should ignite the pilot. The pilot flame can be seen through the opening immediately below the centre radiant (Figure 2).

(If the pilot does not light, turn the control knob to OFF and try again. In the unlikely event of failure of the ignition mechanism, the pilot can be lit with a long match or taper as described below.)

The control knob can then be set at your desired heat level. The settings are:

Knob Position

2 Centre radiant on low. Outer radiants off.

3 Centre radiant on full. Outer radiants off.

4 Centre radiant on full. Outer radiants on low.

5 All radiants on full.

To turn off, partially depress the knob and turn clockwise to OFF.

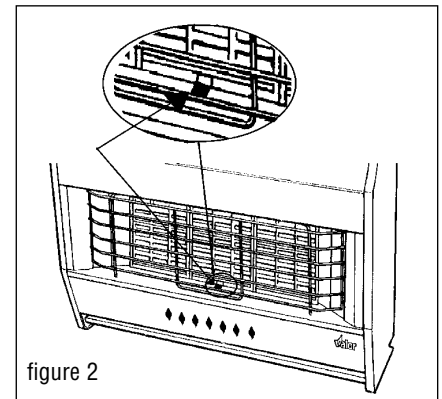
Match or taper lighting

If the ignition system will not light the pilot, the fire can be lit with a long match or taper.

Depress and turn the control to the 1/2IGN position. Keep the knob depressed and insert the lighted match or taper into the pilot viewing opening (figure 2).

When the pilot has been lit, keep the control knob depressed for approximately ten seconds to allow the flame sensing probe to warm up and then release it.)

For your own convenience, have the heater serviced as soon as possible.



USERS INSTRUCTIONS

1. APPLIANCE DATA

IF YOU SMELL GAS

DON'T SMOKE
EXTINGUISH ALL NAKED FLAMES
DON'T TURN ELECTRICAL SWITCHES ON OR OFF
TURN OFF THE GAS SUPPLY AT THE METER
OPEN DOORS AND WINDOWS TO GET RID OF
THE GAS
IMMEDIATELY CALL THE GAS EMERGENCY
SERVICE- SEE YOUR LOCAL TELEPHONE
DIRECTORY

1. As with any gas appliance, this fire must be installed by a competent person in accordance with the latest edition of the gas safety (installation & use) regulations.
2. If the fire is intended to be installed to a chimney which was previously used for solid fuel, please note that the chimney must be swept prior to installation.
3. On no account must the fire stand on carpets or other combustible materials. The fire must stand behind a non-combustible hearth surface at least 880 mm wide and 300mm from front to back. The hearth material must be at least 12.5mm thick. The top surface should be 50mm above floor level to discourage placing carpets, rugs or other combustible materials over it.
4. The minimum clearance from the top surface of the fire to the underside of any shelf made from wood or other combustible materials is as follows:-
 - For a shelf up to 150mm deep
Minimum height = 203mm
 - For a shelf deeper than 150mm
203mm + 12.5mm for every 25mm depth over 150mm.
5. It should be appreciated that although this appliance conforms to all the applicable standards, it is a heating appliance and certain parts of its surface will become hot. A suitable guard which complies with BS 6539 or 6778 should be used for the protection of young children, the elderly and the infirm. Such a guard is also recommended for the protection of pet animals.
6. Always switch the fire off and allow to cool before cleaning or carrying out any maintenance.
7. Never hang clothing, towels or any other fabrics over the fire.
8. This fire is fitted with a device which will automatically shut off the supply of gas to the fire if, for any reason, the pilot goes out. If this device does operate or if the fire is turned off accidentally or intentionally, always wait three minutes before attempting to relight.
9. Soft wall coverings (e.g. embossed vinyl etc.) which have a raised pattern, are easily affected by heat. They may, therefore, scorch or become discoloured when close to a heating appliance. Please bear this in mind when having a heating appliance installed and when redecorating.

PLEASE NOTE

When operating your fire for the first time, some vapours may be given off which may cause a slight odour and could possibly set off any smoke alarms in the immediate vicinity. These vapours are quite normal with new appliances. They are totally harmless and will disappear after a few hours use.

It is quite common for the radiants to take on a brown tint after a period of use. This is normal with all types of ceramic radiant and has no adverse effect whatsoever on the performance or safety of the appliance.

Thank you for choosing this Valor gas appliance. This fire has been designed to give years of trouble-free service. To maintain its optimum performance, advantage should be taken of the regular servicing and inspection services available for gas appliances. For Valor servicing ring 0345 626 341 (Local rates apply). Annual servicing is recommended.

LIST OF CONTENTS

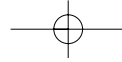
	Page
OWNER SECTION.....	4
Operating the Fire.....	5
Cleaning.....	6
Replacing the radiants.....	7
Maintenance.....	7

Please leave this Guide with the user

THIS APPLIANCE IS FOR USE WITH NATURAL GAS (G20)
AT A SUPPLY PRESSURE OF 20mbar (8in w.g.)
THIS APPLIANCE IS FOR USE IN THE UNITED KINGDOM (GB)
AND THE REPUBLIC OF IRELAND (IE) ONLY

CUSTOMER CARE

We trust that these instructions give sufficient details to enable this appliance to be installed and maintained satisfactorily. However, if further information is required, our **Valor advice line** will be pleased to help.
Ring 0345 626 341 (Local call rates apply).



Safety First.

Valor fires are CE Approved and designed to meet the appropriate British Standards and Safety Marks.



Quality and Excellence.

At the heart of every Valor fire.

All Valor fires are manufactured to the highest standards of quality and excellence and are manufactured under a BS EN ISO 9001 quality system accepted by the British Standards Institute.



The Highest Standards

Valor is a member of the Society of British Gas Industries which works to ensure high standards of safety, quality and performance.



Careful Installation

Valor is a Corgi registered company. All our gas fires must be installed by a competent Corgi Registered Installer in accordance with our Installer Guide and should not be fitted directly on to a carpet or floor of combustible material.



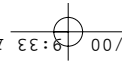
Masters of the living flame.

Valor Heating, Erdington, Birmingham B24 9QP

Because our policy is one of constant development and improvement, details may vary slightly from those given in this publication

© Valor Heating

Because our policy is one of constant development and improvement, details may vary slightly from those given in this publication.





OXYSAFE

USERS INSTRUCTIONS

***RADIANT / CONVECTOR
GAS FIRES***

Favourite

MODEL 322

Firelite

MODEL 328

&

Regency

MODEL 328



**THIS APPLIANCE IS FOR USE WITH NATURAL GAS (G20) AT A
SUPPLY PRESSURE OF 20mbar (8 in w.g.)
THIS APPLIANCE IS FOR USE IN THE UNITED KINGDOM (GB) AND
THE REPUBLIC OF IRELAND (IE) ONLY**

This booklet is intended to help you care for your Valor gas fire. Please read thoroughly before using and keep for future reference.
We trust that these instructions give sufficient details to enable this appliance to be operated and maintained satisfactorily. However if
further information is required, our Valor advice line will be pleased to help.
Ring 0345 626 341 (local call rates apply).

Instructions to be left with the owner